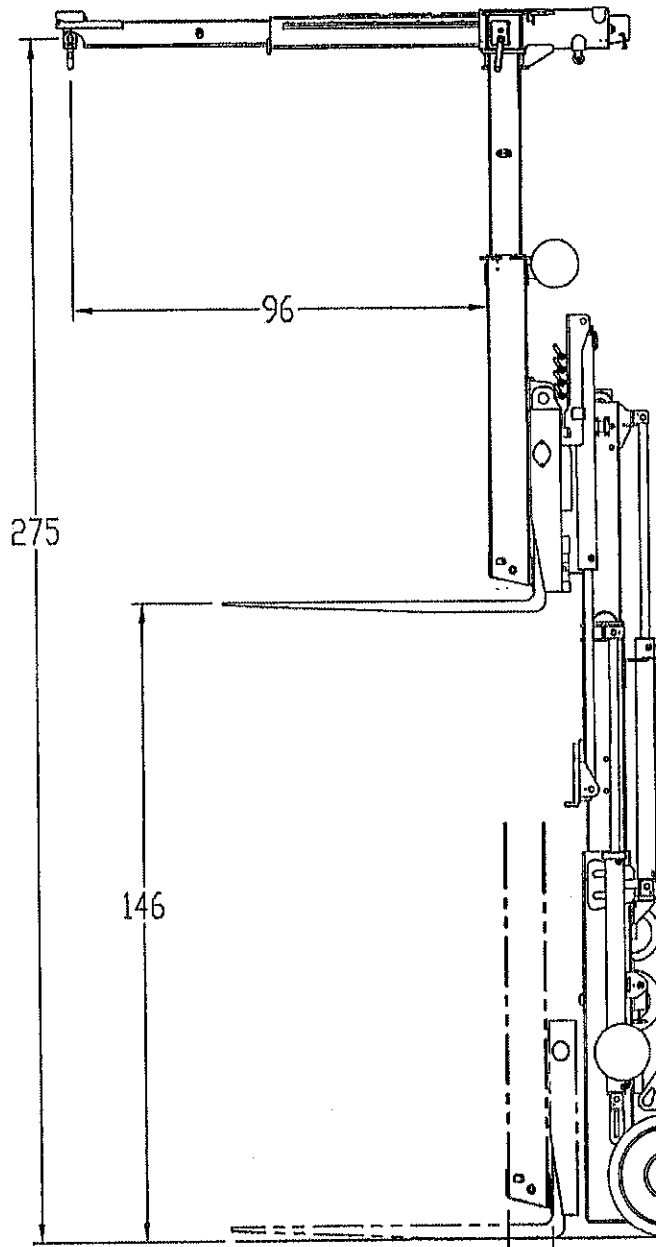
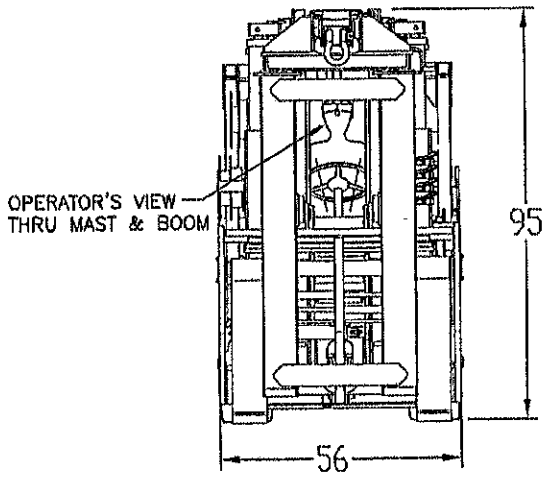
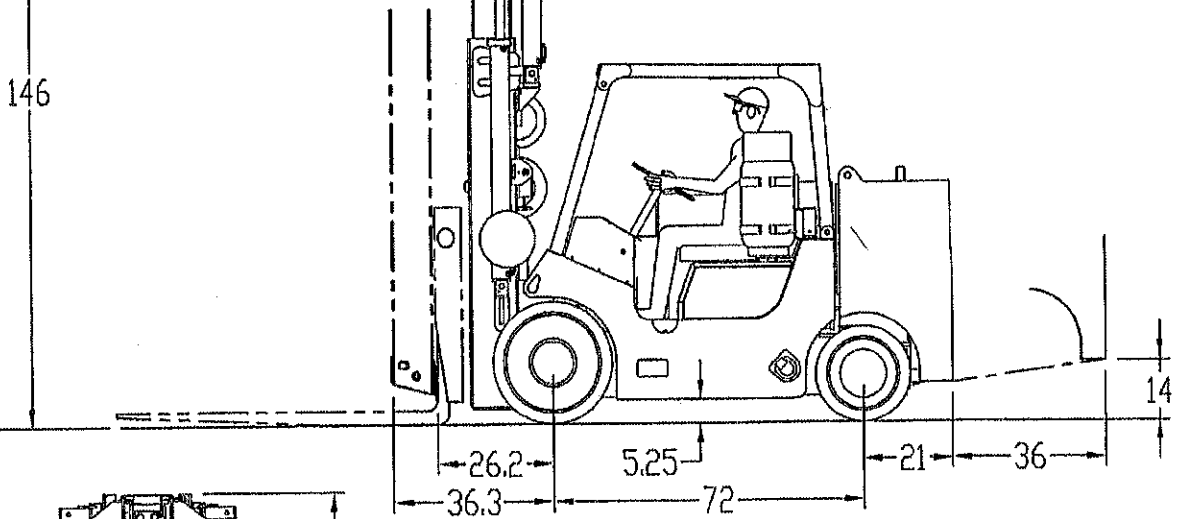


# VERSA-LIFT 17/25



ENGINE: GM 3.0L  
 DRIVE SYSTEM: 2 SPEED HYDROSTATIC  
 TIRES: FRONT 28 X 12 NONMARKING POLY  
 REAR 22 X 8 NONMARKING POLY  
 GRADE: EMPTY %  
 LOADED %  
 TILT: FOWARD 10', BACK 4.5'  
 WEIGHTS: GROSS 30,500 LBS WITH  
 BOOM & FORKS  
 FORKS 1,000 LBS  
 BOOM 2,700 LBS  
 STAND 400 LBS  
 TURNING RADIUS: 105" RETRACTED  
 135" EXTENDED

**PATENT PENDING**



\* CAPACITIES RATED WITH MAST VERTICAL.

## **CUSTOM MOBILE EQUIPMENT, INC.**

439 EAST HIGH STREET, BALDWIN CITY, KS 66006 (785) 594-7474 FAX (785) 594-7475

## 17/25 Versa-Lift with Fixed Counterweight

Slab Weight (lbs)

Fixed

Number of Slabs

Fixed

Standard Wheel Base

72

		<b>Lift Capacities w/Forks Only (lbs)</b>			
		Counter Weight Extension (in)			
		0	12	24	36
<b>Load Center From Fork Face (in)</b>	24	18600	20800	22900	25000
	36	15000	16800	18500	20200
	48	12600	14000	15500	16900
	60	10800	12100	13300	14500
	72	9500	10600	11700	12800
	84	8500	9400	10400	11400

		<b>Lift Capacities w/Boom Only (lbs)</b>			
		Counter Weight Extension (in)			
		0	12	24	36
<b>Load Center From Boom Face (in)</b>	12	18400	20600	22800	25000
	24	14617	16400	18100	19900
	36	12100	13500	15000	16500
	48	10200	11500	12800	14000
	60	8800	10000	11100	12200
	72	7800	8800	9800	10800
	84	7000	7900	8800	9700
	96	6400	7200	8000	8800

		<b>Lift Capacities w/Boom &amp; Forks</b>			
		Counter Weight Extension (in)			
		0	12	24	36
<b>Load Center From Boom Face (in)</b>	12	19100	21300	23500	25800
	24	15200	16900	18700	20500
	36	12500	14000	15500	17000
	48	10700	11900	13200	14400
	60	9200	10300	11500	12600
	72	8100	9200	10200	11100
	84	7300	8200	9100	10000
	96	6600	7500	8300	9100

\*\*\*All Load Capacities are Rated with the Mast Vertical